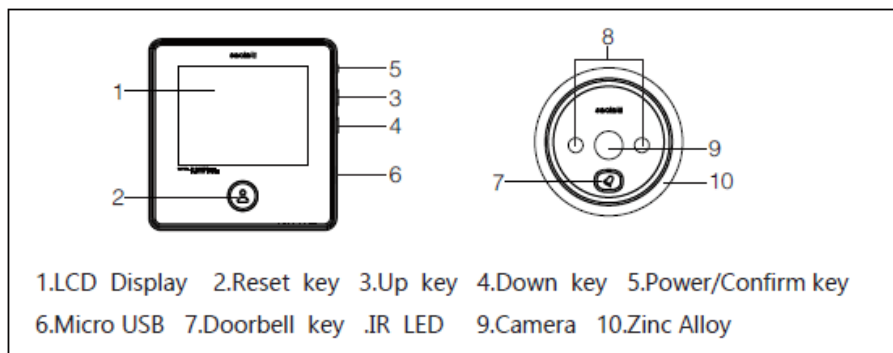


# Digital Door Viewer User's Manual

Thanks for purchasing the door viewer product from us

In order to help you use the product in the right way ,please read this manual carefully before using it .

## The product picture



## Install Instruction

Step1: According to the thickness of the door to select a suitable bolt, then screw the bolt into the hole

Step2: Tear off double-side adhesive protective film on the back of the outdoor part,

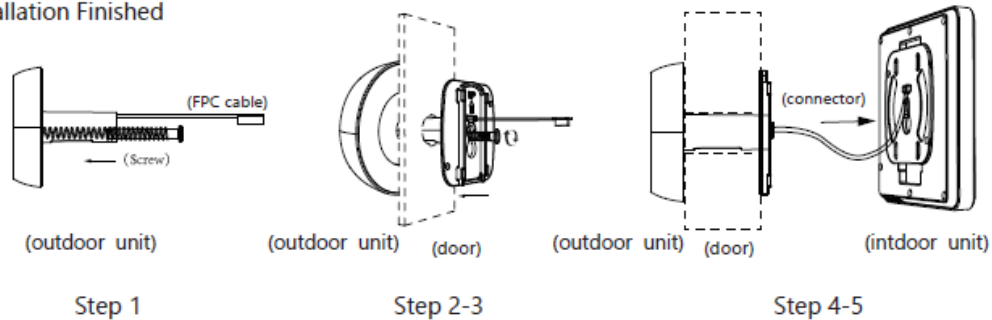
Insert the unit barrel together with the FPC cable through the peephole of door ,  
then stick the outdoor part on door (IR LEDs is upward, doorbell key is downward)

Step3: Take out the metal bracket (the “up” arrow on bracket means upward),pass the FPC cable through the rectangular hole ,pass the right screw through the round hole of the metal bracket ,then to lock the metal bracket with the outdoor part tightly.

Step4: Connect the FPC cable from outdoor part to the connector of the indoor part  
(Pay attention to the right direction)

Step5: The four slots on the back of indoor part is aligned with four projection on metal bracket and buckle up , the pull down the outdoor part to be locked tightly

Installation Finished



## Function Operations

1.Power on/off : when pressing “doorbell key” or “power key” , the indoor part

Will power on and ring ,keep on pressing “power key” for 3 seconds , the device will power off .

— 2 —

2.Take photo: pressing “doorbell key ” ,the device will power on and take photo; in power on mode , pressing “power key” it will take photo too.

3.Review photo: In power on mode,press “up key” or “down key” to review photos.

4.Delete all photos: in power on mode or when reviewing photos, press “up key” for three seconds to delete all photos in memory

5.Delete single photo:when reviewing photos, press “down key” for three seconds to delete one photo in memory

6.Select power off time: press “down key” for three seconds to select the power off time :15s/25s/off;

## Technical Specifications

LCD screen	3.0 inch	Adapter	5v@2A
Resolution	640*480	Vision angle	120°
Memory	Built-in cyclic storage in device	Door hole Diameter	14-22mm
Battery	1200mAh Can' t dismantle	Door thickness	32-120mm
Camera	1 MP	Temperature	-20℃ ~-55℃
IR LEDS	2 PCS, 940nm	Product Size	Indoor part: 90*88.5*13mm Outdoor part: 55*13mm

— 3 —

## Products Accessories

Indoor part *1	outdoor part *1	mental Bracket *1
User manual *1	Product warranty card *1	Screws *3

## Safety Precaution

- 1 . Non professional ,please do not dismantle the device
- 2.Do not use this product in high temperature/humidity/salt
- 3.Please make sure never to pull the camera cable in case to break it
- 4.Please use standard model adapter , prevent the charger to damage the battery or device

Quality warranty :one year

Picture is just for reference ,good in kind prevail ,manufacture reserve the right to improve the appearance and functionality and upgrades without notice .